



## PLUG COCKS

---



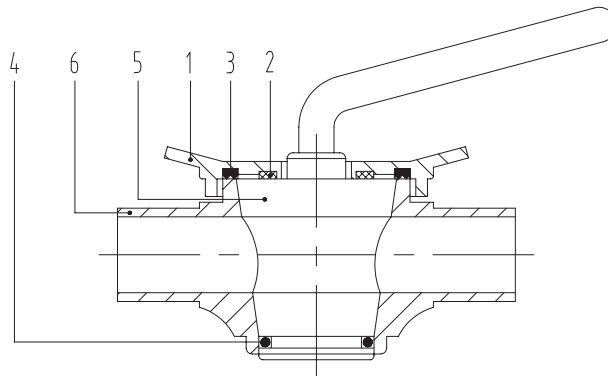


**Application** Plug cocks are manually operated and designed for shut-off and diversion functions. Two-way plug cocks shut-off the flow and three-way plug cocks divert the flow in the pipeline.

**Features** Plug cocks are full bore and therefore allow complete flow of product.

Maintenance is minimal and plug cocks are serviceable online.

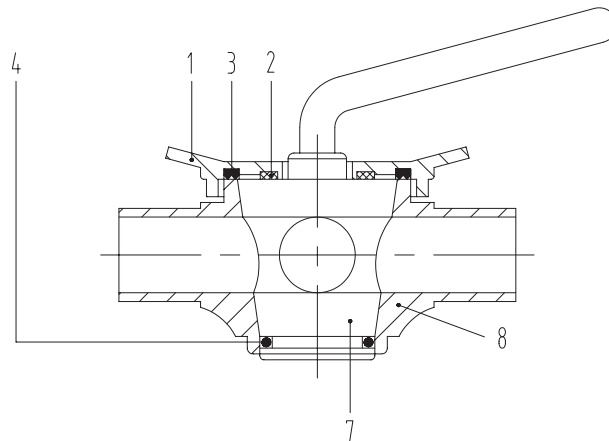
**Components** Two-way plug cocks:



PARTS LIST		
1	Cover	Aisi 304L/ Aisi 316L
2	Ring	PTFE
3	W seal	EPDM
4	OR seal ring	EPDM
5	Two-way plug	Aisi 304L/ Aisi 316L
6	Two-way plug casing	Aisi 304L/ Aisi 316L



Three-way plug cocks:



PARTS LIST		
1	Cover	Aisi 304L/ Aisi 316L
2	Ring	PTFE
3	W seal	EPDM
4	OR seal ring	EPDM
7	Three-way plug	Aisi 304L/ Aisi 316L
8	Three-way plug casing	Aisi 304L/ Aisi 316L

## Technical Data

Max. product pressure: 4 bars.

Temperature range: -10°C to + 140°C (+ 15°F to 280°F).

Finish: 120 grit (max  $R_a$  1.01-1.14  $\mu\text{m}$ , 40-45  $\mu\text{in}$ ).

Product range: DN 28 to DN 101, 1" to 4".

Connections: welding end, threaded end, ferrule end.

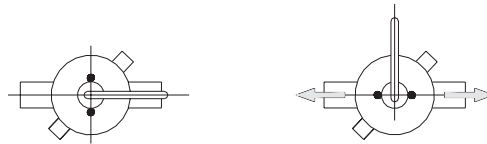
Standards: DIN, SMS, RJT BS, IDF ISS, Clamp.

Steel grades: Aisi 304L, Aisi 316L.

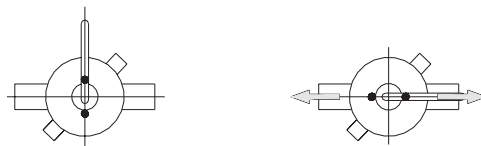


**Flowcharts**

**Two-way plug cocks:**

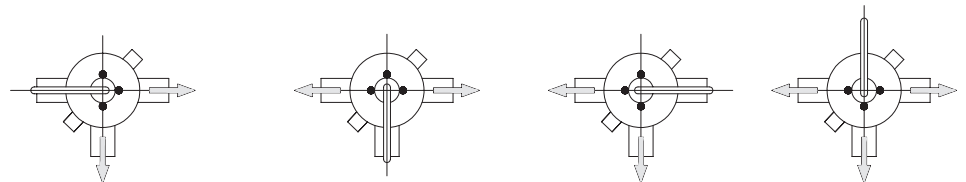


DIN

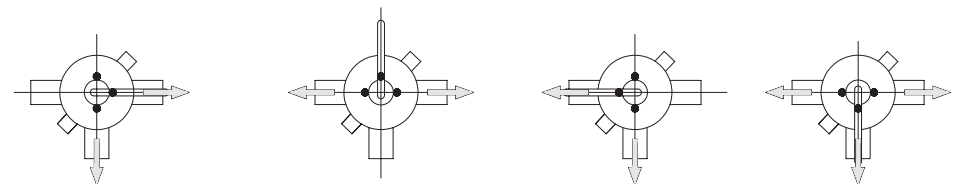


SMS, BS, ISS, CLAMP

**Three-way plug cocks:**



DIN



SMS, BS, ISS, CLAMP

*For further technical information, section and dimensional drawings and range of models available please refer to our series of product brochures, technical catalogues and valve manuals.*