

inoxco Food

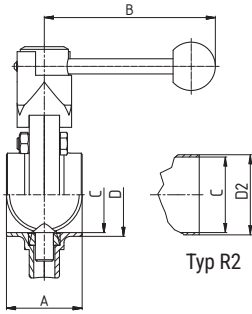
Vlinderkleppen en toebehoren
Vannes papillon et accessoires
Butterfly valves and accessories
Scheibenventile und Zubehör



Butterfly valve S - S
Scheibenventil S - S

Dimensions • Baumaße

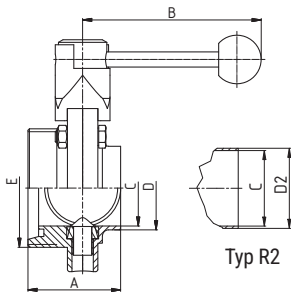
DIN	DN	A	B	C	D	E	D2	R	L	Rd x s	kg
	15	50,8		16	19						
	20	50,8		20	23						
	25	40	114	26	31		29				
	32	42	114	32	37		32				
	40	50	140	38	43		41				
	50	50	140	50	55		53				
	65	50	140	66	72		70				
	80	60	174	81	87		85				
	100	64	174	100	106		104				
	125	100	210	125	138		129				
	150	100	210	150	164		154				



Butterfly valve G - S
Scheibenventil G - S

Dimensions • Baumaße

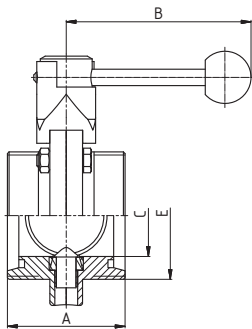
DIN	DN	A	B	C	D	E	F	D2	L	Rd x s	kg
	15	58,4		16	19	DIN 405					
	20	58,4		20	23	34x1/8"					
	25	52	114	26	31	44x1/6"		29			
	32	53	114	32	37	52x1/6"		32			
	40	61	140	38	43	58x1/6"		32			
	50	61	140	50	55	65x1/6"		41			
	65	63	140	66	72	78x1/6"		53			
	80	80	174	81	87	95x1/6"		70			
	100	84	174	100	106	110x1/4"		85			
	125	106	210	125	138	130x1/4"		104			
	150	112	210	150	164	160x1/4"		129			
						190x1/4"		154			



Butterfly valve G - G
Scheibenventil G - G

Dimensions • Baumaße

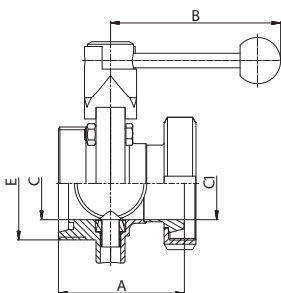
DIN	DN	A	B	C	E	F	F	R	L	Rd x s	kg
	15	66		16	34x1/8"						
	20	66		20	44x1/6"						
	25	64	114	26	52x1/6"						
	32	64	114	32	58x1/6"						
	40	72	140	38	65x1/6"						
	50	72	140	50	78x1/6"						
	65	76	140	66	95x1/6"						
	80	100	174	81	110x1/4"						
	100	104	174	100	130x1/4"						
	125	112	210	125	160x1/4"						
	150	124	210	150	190x1/4"						



Butterfly valve G - K/M
Scheibenventil G - K/M

Dimensions • Baumaße

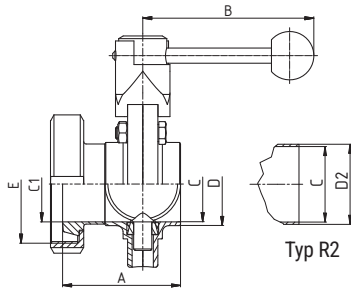
DIN	DN	A	B	C	C1	E	R	L	Rd x s	kg
	25	72	114	26	26	DIN 405				
	32	76	114	32	32	52x1/6"				
	40	85	140	38	38	58x1/6"				
	50	87	140	50	50	65x1/6"				
	65	93	140	66	66	78x1/6"				
	80	115	174	81	81	95x1/6"				
	100	126	174	100	100	110x1/4"				
	125	138	210	125	125	130x1/4"				
	150	147	210	150	150	160x1/4"				



Butterfly valve K/M - S
Scheibenventil K/M - S

Dimensions • Baumaße

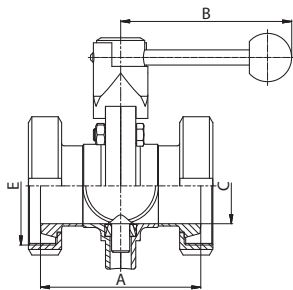
DIN	Dimensions • Baumaße									
	DN	A	B	C	C1	D	E	D2	Rd x s	kg
	DIN 405									
25	60	114	26	26	31	52x1/6"	29			
32	65	114	32	32	37	58x1/6"	32			
40	74	140	38	38	43	65x1/6"	41			
50	76	140	50	50	55	78x1/6"	53			
65	80	140	66	66	72	95x1/6"	70			
80	95	174	81	81	87	110x1/4"	85			
100	106	174	100	100	106	130x1/4"	104			
125	132	210	125	125	138	160x1/4"	129			
150	135	210	150	150	164	190x1/4"	154			



Butterfly valve K/M - K/M
Scheibenventil K/M - K/M

Dimensions • Baumaße

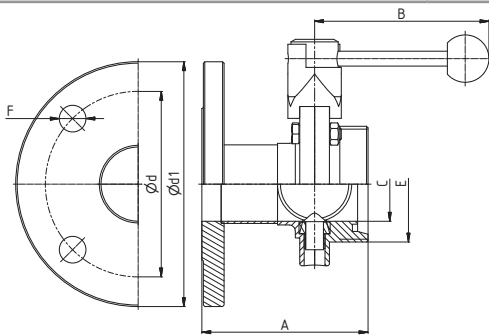
DIN	Dimensions • Baumaße										
	DN	A	B	C	E	F	G	R	L	Rd x s	kg
	DIN 405										
25	80	114	26	26	52x1/6"						
32	88	114	32	32	58x1/6"						
40	98	140	38	38	65x1/6"						
50	102	140	50	50	78x1/6"						
65	110	140	66	66	95x1/6"						
80	130	174	81	81	110x1/4"						
100	148	174	100	100	130x1/4"						
125	164	210	125	125	160x1/4"						
150	170	210	150	150	190x1/4"						



Butterfly valve PN - G
Scheibenventil PN - G

Dimensions • Baumaße

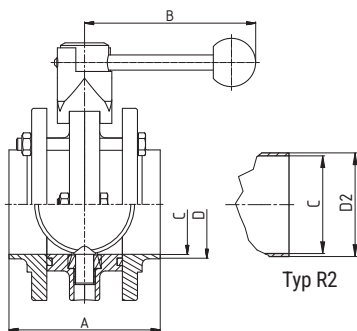
DIN	Dimensions • Baumaße										
	DN	A	B	C	E	d	d1	F	L	Rd x s	kg
	DIN 405										
25	106	114	26	26	52x1/6"	85x4	115	14			
32	106	114	32	32	58x1/6"	100x4	140	18			
40	110	140	38	38	65x1/6"	110x4	150	18			
50	112	140	50	50	78x1/6"	125x4	165	18			
65	122	140	66	66	95x1/6"	145x4	185	18			
80	135	174	81	81	110x1/4"	160x8	200	18			
100	140	174	100	100	130x1/4"	180x8	220	18			



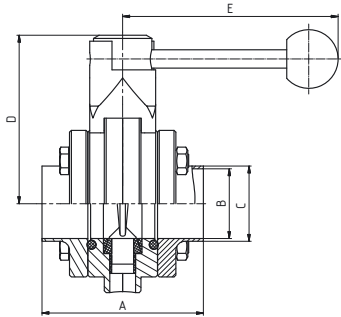
Butterfly valve PN - PN
Scheibenventil PN - PN

Dimensions • Baumaße

DIN	Dimensions • Baumaße										
	DN	A	B	C	D	E	D2	R	L	Rd x s	kg
25	84	114	26	31			29				
32	86	114	32	37			32				
40	100	140	38	43			41				
50	100	140	50	55			53				
65	100	140	66	72			70				
80	120	174	81	87			85				
100	146	174	100	106			104				
125	168	210	125	138			129				
150	188	210	150	164			154				



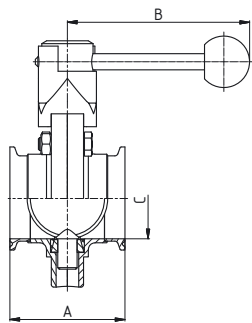
Compact flange butterfly valve PN - PN
Kompaktzwischenflansch-
Scheibenventil PN - PN



Dimensions • Baumaße

DIN	DN	A	B	C	D	E	F	R	L	Rd x s	kg
	25	78	26	31	87	117					
	32	78	32	37	90	117					
	40	88	38	43	92	126					
	50	88	50	53	98,5	126					
	65	88	66	72	107,5	126					
	80	120	81	87	120	153					
	100	124	100	106	130	153					
	125	140	125	132	160	205					
	150	160	150	157	175	205					

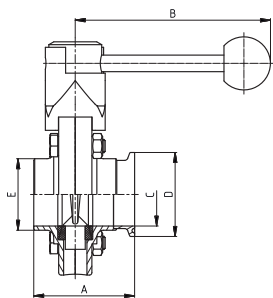
Butterfly valve C - C
Scheibenventil C - C



Dimensions • Baumaße

DIN	DN	A	B	C	D	E	F	R	L	Rd x s	kg
	25	79	114	26							
	32	81	114	32							
	40	89	140	38							
	50	89	140	50							
	65	102	140	66							
	80	112	174	81							
	100	116	174	100							

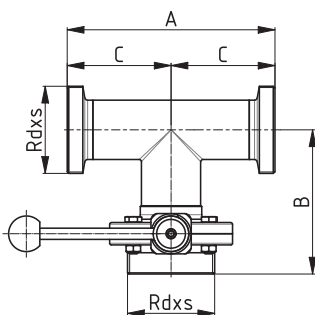
Butterfly valve S - C
Scheibenventil S - C



Dimensions • Baumaße

DIN	DN	A	B	C	D	E	F	R	L	Rd x s	kg
	25	59,5	114	26	50,5	31					1,3
	32	61,5	114	32	50,5	37					1,4
	40	69,5	140	38	50,5	43					1,6
	50	69,5	140	50	64	55					1,8
	65	76	140	66	91	72					2,2
	80	86	174	81	106	87					3,9
	100	90	174	100	119	106					4,6

Tee with one butterfly valve G - G - G
Mehrwege-Scheibenventil G - G - G

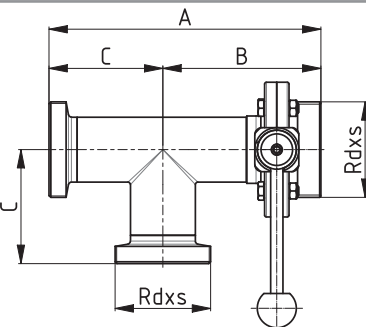


Dimensions • Baumaße

DIN	DN	A	B	C	E	F	F	R	L	Rd x s	kg
	25	144	100	72						52x1/6"	
	32	154	106	77						58x1/6"	
	40	164	119	82						65x1/6"	
	50	186	129	93						78x1/6"	
	65	210	141	105						95x1/6"	
	80	230	168	115						110x1/4"	
	100	260	182	130						130x1/4"	
	125	446	291,5	223						160x1/4"	
	150	530	335	265						190x1/4"	

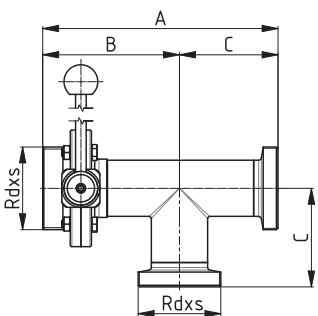
Tee with one butterfly valve G - G - G
Mehrweg-Scheibenventil G - G - G

Dimensions • Baumaße

DIN	DN	A	B	C	E	F	G	R	L	Rd x s	kg
	25	172	100	72						52x1/6"	
	32	183	106	77						58x1/6"	
	40	201	119	82						65x1/6"	
	50	222	129	93						78x1/6"	
	65	246	141	105						95x1/6"	
	80	283	168	115						110x1/4"	
	100	312	182	130						130x1/4"	
	125	514,5	291,5	223						160x1/4"	
	150	600	335	265						190x1/4"	

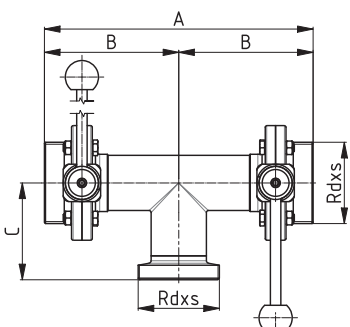
Tee with one butterfly valve G - G - G
Mehrweg-Scheibenventil G - G - G

Dimensions • Baumaße

DIN	DN	A	B	C	E	F	G	R	L	Rd x s	kg
	25	172	100	72						52x1/6"	
	32	183	106	77						58x1/6"	
	40	201	119	82						65x1/6"	
	50	222	129	93						78x1/6"	
	65	246	141	105						95x1/6"	
	80	283	168	115						110x1/4"	
	100	312	182	130						130x1/4"	
	125	514,5	291,5	223						160x1/4"	
	150	600	335	265						190x1/4"	

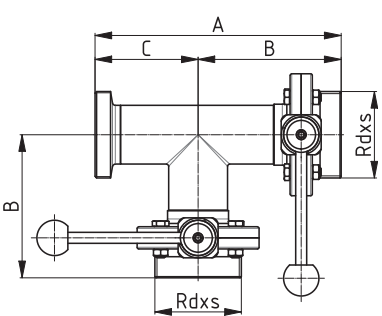
Tee with two butterfly valves G - G - G
Mehrweg-Scheibenventil G - G - G

Dimensions • Baumaße

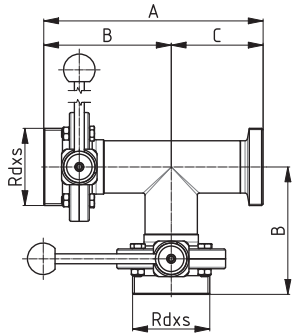
DIN	DN	A	B	C	E	F	G	R	L	Rd x s	kg
	25	200	100	72						52x1/6"	
	32	212	106	77						58x1/6"	
	40	238	119	82						65x1/6"	
	50	258	129	93						78x1/6"	
	65	282	141	105						95x1/6"	
	80	336	168	115						110x1/4"	
	100	364	182	130						130x1/4"	
	125	583	291,5	223						160x1/4"	
	150	670	335	265						190x1/4"	

Tee with two butterfly valves G - G - G
Mehrweg-Scheibenventil G - G - G

Dimensions • Baumaße

DIN	DN	A	B	C	E	F	G	R	L	Rd x s	kg
	25	172	100	72						52x1/6"	
	32	183	106	77						58x1/6"	
	40	201	119	82						65x1/6"	
	50	222	129	93						78x1/6"	
	65	246	141	105						95x1/6"	
	80	283	168	115						110x1/4"	
	100	312	182	130						130x1/4"	
	125	514,5	291,5	223						160x1/4"	
	150	600	335	265						190x1/4"	

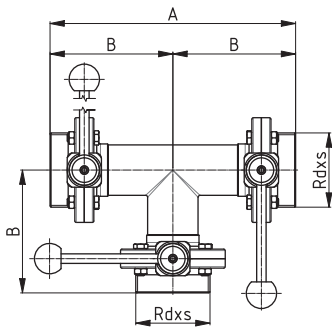
Tee with two butterfly valves G - G - G
Mehrwege-Scheibenventil G - G - G



Dimensions • Baumaße

DIN	DN	A	B	C	E	E	F	R	L	Rd x s	kg
	25	172	100	72						52x1/6"	
	32	183	106	77						58x1/6"	
	40	201	119	82						65x1/6"	
	50	222	129	93						78x1/6"	
	65	246	141	105						95x1/6"	
	80	283	168	115						110x1/4"	
	100	312	182	130						130x1/4"	
	125	514,5	291,5	223						160x1/4"	
	150	600	335	265						190x1/4"	

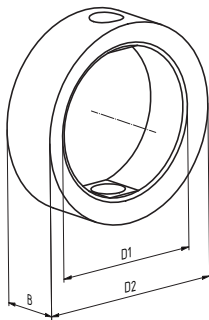
Tee with three butterfly valves G - G - G
Mehrwege-Scheibenventil G - G - G



Dimensions • Baumaße

DIN	DN	A	B	C	E	F	F	R	L	Rd x s	kg
	25	200	100							52x1/6"	
	32	212	106							58x1/6"	
	40	238	119							65x1/6"	
	50	258	129							78x1/6"	
	65	282	141							95x1/6"	
	80	336	168							110x1/4"	
	100	364	182							130x1/4"	
	125	583	291,5							160x1/4"	
	150	670	335							190x1/4"	

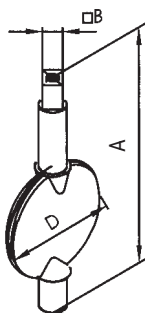
Gasket for butterfly valve
Dichtung für Scheibenventil



Dimensions • Baumaße

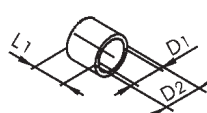
DIN	DN	D1	D2	B	C	E	F	R	L	Rd x s	kg
	25	26	40,1	20							
	32	32	48	20,5							
	40	38	54,6	21							
	50	50	66,5	21							
	65	66	84,6	22							
	80	81	99,9	24							
	100	100	115,4	26,5							

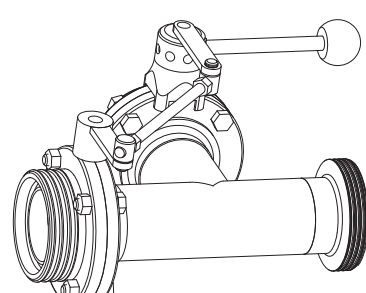
Butterfly disk
Drehklappe für Scheibenventil

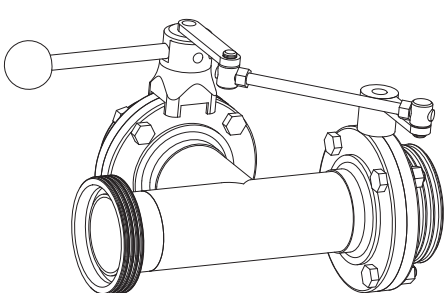


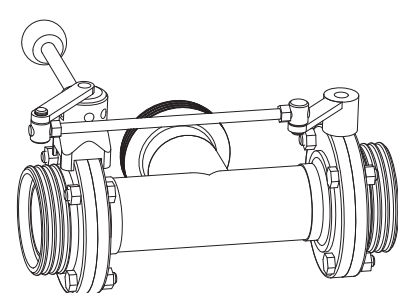
Dimensions • Baumaße

DIN	DN	A	B	C	D	E	F	R	L	Rd x s	kg
	25	80	9,5		26						0,05
	32	87,6	9,5		32						0,06
	40	93,6	9,5		38						0,10
	50	111	9,5		50						0,15
	65	128,1	9,5		66						0,24
	80	143,8	9,5		81						0,39
	100	163,9	9,5		100						0,63
	125	214	14,0		125						1,16
	150	245,8	14,0		150						2,00

Butterfly valve bushing (pair) Scheibenventil-buchse (paar)	Dimensions • Baumaße									
	DIN	DN	D1	D2	L1	E	R	L	Rd x s	kg
	25	10	12	5						
	32	10	12	5						
	40	12	14	10						
	50	12	14	10						
	65	12	14	10						
	80	14	16	12						
	100	14	16	12						
	125	18	20	18						
	150	18	20	18						

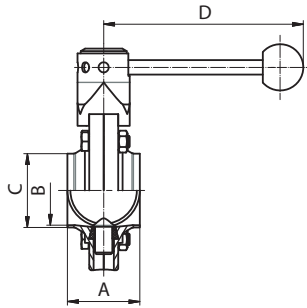
Tee with two butterfly valves G - G - G with combination handle Mehrwege-Scheibenventil G - G - G mit Schaltkombination	Dimensions • Baumaße									
	DIN	DN	A	B	C	E	R	L	Rd x s	kg
	25									
	32									
	40									
	50									
	65									
	80									
	100									
	125									
	150									

Tee with two butterfly valves G - G - G with combination handle Mehrwege-Scheibenventil G - G - G mit Schaltkombination	Dimensions • Baumaße									
	DIN	DN	A	B	C	E	R	L	Rd x s	kg
	25									
	32									
	40									
	50									
	65									
	80									
	100									
	125									
	150									

Tee with two butterfly valves G - G - G with combination handle Mehrwege-Scheibenventil G - G - G mit Schaltkombination	Dimensions • Baumaße									
	DIN	DN	A	B	C	E	R	L	Rd x s	kg
	25									
	32									
	40									
	50									
	65									
	80									
	100									
	125									
	150									

Butterfly valve SMS S - S
Scheibenventil SMS S - S

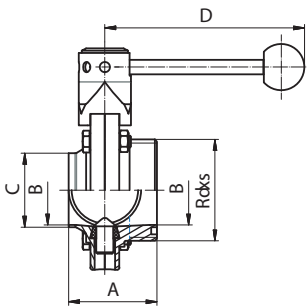
Dimensions • Baumaße



SMS	DN	A	B	C	D	F	F	R	L	Rd x s	kg
	25	40	22	25	114						
	38	50	35	38	140						
	51	50	48	51	140						
	63,5	50	60,5	63,5	140						
	76,1	60	72,1	76,1	174						
	101,6	64	97,6	101,6	174						

Butterfly valve SMS S - G
Scheibenventil SMS S - G

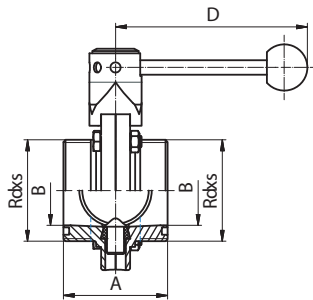
Dimensions • Baumaße



SMS	DN	A	B	C	D	E	G	R	L	Rd x s	kg
	25	52	22	25	114					DIN 405	
	38	61	35	38	140					40x1/6"	
	51	61	48	51	140					60x1/6"	
	63,5	63	60,5	63,5	140					70x1/6"	
	76,1	80	72,1	76,1	174					85x1/6"	
	101,6	84	97,6	101,6	174					98x1/6"	

Butterfly valve SMS G - G
Scheibenventil SMS G - G

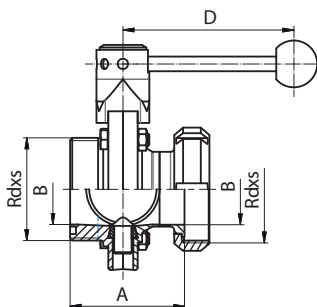
Dimensions • Baumaße



SMS	DN	A	B	D	E	F	F	R	L	Rd x s	kg
	25	64	22	114						DIN 405	
	38	72	35	140						40x1/6"	
	51	72	48	140						60x1/6"	
	63,5	76	60,5	140						70x1/6"	
	76,1	100	72,1	174						85x1/6"	
	101,6	104	97,6	174						98x1/6"	

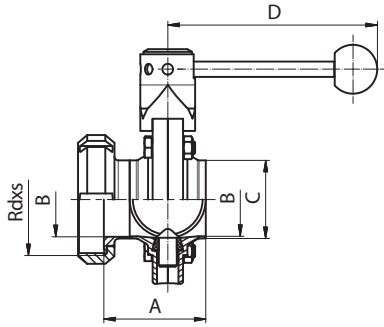
Butterfly valve SMS G - K/M
Scheibenventil SMS G - K/M

Dimensions • Baumaße



SMS	DN	A	B	D	E	F	G	R	L	Rd x s	kg
	25	67,5	22	114						DIN 405	
	38	77	35	140						40x1/6"	
	51	78	48	140						60x1/6"	
	63,5	80	60,5	140						70x1/6"	
	76,1	99	72,1	174						85x1/6"	
	101,6	103	97,6	174						98x1/6"	

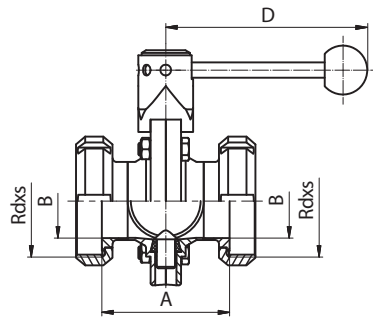
Butterfly valve SMS K/M - S
Scheibenventil SMS K/M - S



Dimensions • Baumaße

SMS	DN	A	B	C	D	F	F	R	L	Rd x s	kg
	25	55,5	22	25	114					DIN 405	
	38	66	35	38	140					40x1/6"	
	51	67	48	51	140					60x1/6"	
	63,5	67	60,5	63,5	140					70x1/6"	
	76	79	72,1	76,1	174					85x1/6"	
	101,6	83	97,6	101,6	174					98x1/6"	
										125x1/4"	

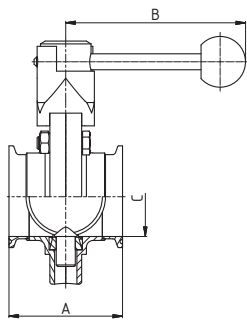
Butterfly valve SMS K/M - K/M
Scheibenventil SMS K/M - K/M



Dimensions • Baumaße

SMS	DN	A	B	D	D	E	G	R	L	Rd x s	kg
	25	55,5	22	114						DIN 405	
	38	66	35	140						40x1/6"	
	51	67	48	140						60x1/6"	
	63,5	67	60,5	140						70x1/6"	
	76	79	72,1	174						85x1/6"	
	101,6	83	97,6	174						98x1/6"	
										125x1/4"	

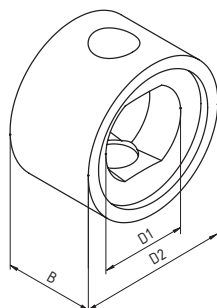
Butterfly valve SMS C - C
Scheibenventil SMS C - C



Dimensions • Baumaße

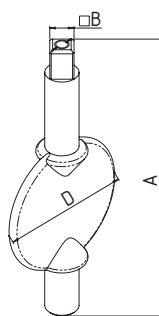
SMS	DN	A	B	C	D	E	F	R	L	Rd x s	kg
	25	83	114	22,5							
	38	93	140	35,5							
	51	93	140	48,5							
	63,5	106	140	60,3							
	76	116	174	72,9							
	101,6	120	174	97,6							

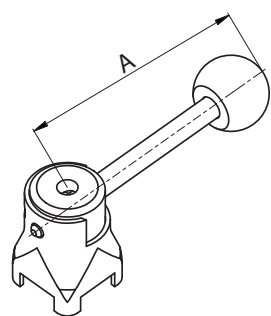
Gasket for butterfly valve
Dichtung für Scheibenventil

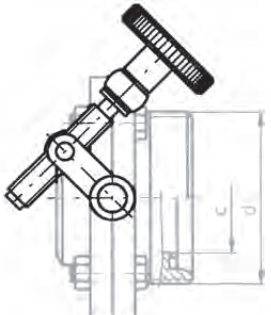


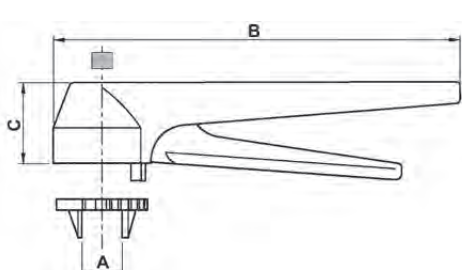
Dimensions • Baumaße

SMS	DN	D1	D2	B	C	E	F	R	L	Rd x s	kg
	25	32,1	38,1	23							
	38	45,8	51,8	23							
	50	59,3	65,9	23							
	63	68,3	75,9	23							
	76	81	88,4	25							
	100	111	121	29							

Butterfly disk Drehklappe für Scheibenventil	Dimensions • Baumaße											
	SMS	DN	A	B	C	D	E	G	R	L	Rd x s	kg
		25	80	9,5		22,5						
		38	93,6	9,5		36						
		50	111	9,5		50						
		63	128,1	9,5		60						
		76	141,85	9,5		70,5						
		100	163,9	9,5		99,6						

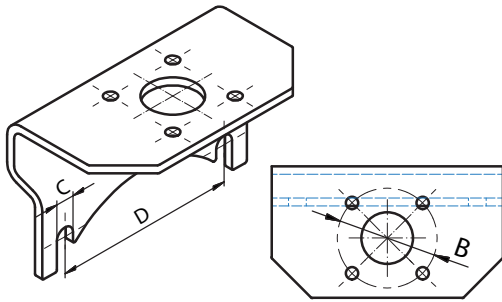
Handle for butterfly valve Zuggriff für Scheibenventil	Dimensions • Baumaße											
	DN	A	B	D	E	F	F	R	L	Rd x s	kg	
	25-32	114										
	40-65	140										
	80-100	174										
	125-150	210										

Handle-screw Handgriff stufenlos	Dimensions • Baumaße											
	DN	A	B	D	E	F	G	R	L	Rd x s	kg	
	25											
	32											
	40											
	50											
	65											
	80											
	100											
	125											
	150											

Scissors handle (plastic) Zangengriff mit arretierungsscheibe (kunststoff)	Dimensions • Baumaße											
	DN	A	B	C	D	F	F	R	L	Rd x s	kg	
	25 - 65	20,4	175	35								

Bracket of pneumatic actuator
Haltekonsole universal

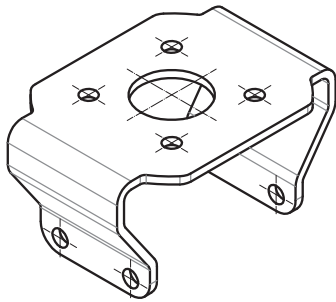
Dimensions • Baumaße



DN	B	C	D				R	Rd x s	kg
15	F04	7	47						
20	F04	7	47						
25	F03 / F04	9	51,6						
25	F04 / F05	9	51,6						
32	F03 / F04	9	55,2						
32	F04 / F05	9	55,2						
40	F04 / F05	9	58,4						
50	F05	9	67,6						
65	F05	9	79,6						
80	F05	9	90,2						
100	F05	9	104,3						
125	F07	9	90						
150	F07	9	105						

Bracket of pneumatic acuator for 43081
Haltekonsole für 43081

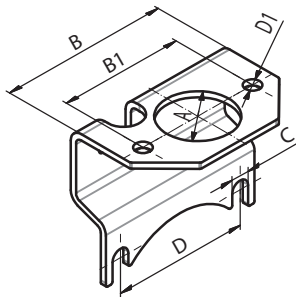
Dimensions • Baumaße



DN	A	B	C	D	E	G	R	L	Rd x s	kg
25-32	F05									
40	F05									
50-65	F05									
80-100	F05 / F07									

Bracket of pneumatic actuator Type D
Haltekonsole universal Typ D

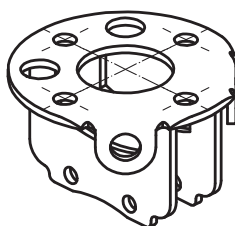
Dimensions • Baumaße



DN	A	B	B1	C	D	D1	R	L	Rd x s	kg
25	35	78	62	9	51,6	8,2				
32	35	82	62	9	55,2	8,2				
40	35	86	62	9	58,4	8,2				
50	35	84	62	9	67,6	8,2				
65	35	106	62	9	79,6	8,2				
80	35	116	62	9	90,2	8,2				
100	35	131	62	9	104,3	8,2				
125	36	120	62	11	90	8,2				
150	36	135	62	11	105	8,2				

Bracket of pneumatic actuator Type C
Haltekonsole universal Typ C

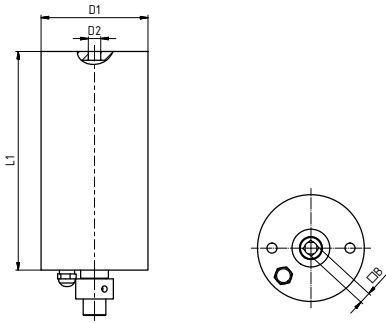
Dimensions • Baumaße



DN	A	B	C	D	E	G	R	L	Rd x s	kg
25 - 65										
80 - 100										

Pneumatic actuator D-A
Pneumatischer Antrieb L-L

Dimensions • Baumaße

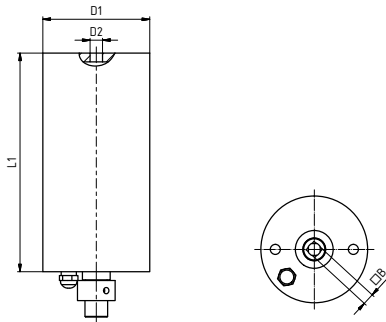


TYP	A	B	D1	D2	L1	F	Butterfly valve	Mk (Nm)	kg
85		9,5	85	1/8"	174		DN 25 - 100	30	3,5
101		9,5	101	1/8"	185		DN 125	42	4,1
120		14	120	1/8"	185		DN 150	70	6,5

Working time (90°): 1,5 sec. Maximum air pressure: 10 bar.
Working pressure (air): 5 - 6 bar Working temperature: 10 - 140°C

Pneumatic actuator S-R
Pneumatischer Antrieb L-F

Dimensions • Baumaße

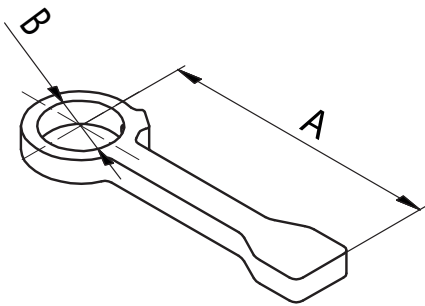


TYP	A	B	D1	L2	L1	F	Butterfly valve	Mk (Nm)	kg
85		9,5	85	1/8"	174		DN 25 - 80	30	3,8
101		9,5	101	1/8"	185		DN 100	42	4,5
120		14	120	1/8"	185		DN 125 - 150	70	6,5

Working time (90°): 1,5 sec. Maximum air pressure: 10 bar.
Working pressure (air): 5 - 6 bar Working temperature: 10 - 140°C

Signal contact arm
Schaltfahne

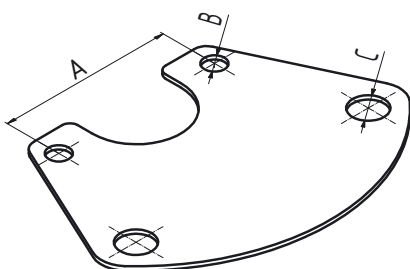
Dimensions • Baumaße




DN	A	B	D	E	F	G	R	L	Rd x s	kg
25-100	72	18,3								

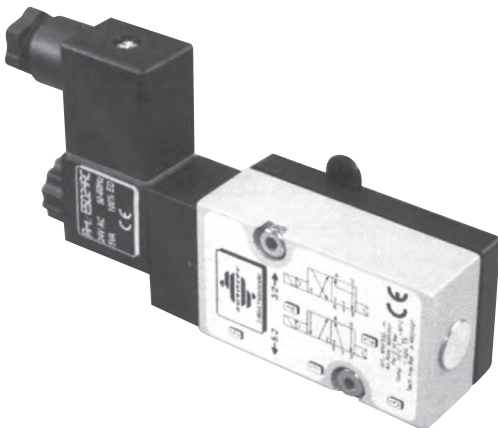
Holding device
Halteblech für Näherungsinitiator

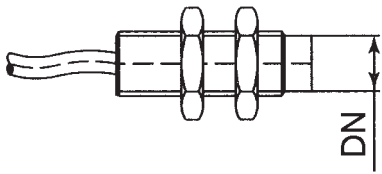
Dimensions • Baumaße




DN	A	B	C	D	E	F	R	L	Rd x s	kg
25-100	62	8	12,5							
100-150	62	8	12,5							


Solenoid valve directly 3/2 Magnetventil direkt	Dimensions • Baumaße												
	DN	A	B	C	D	E	F	R	L	Rd x s	kg		
	Anschluss / Air entry	G 1/8"		Description									
	Nennweite / Dimension	1,3 mm		- Solenoid valve directly operated with 3/2- ways function									
	Arbeitsdruck / Air pressure	0-10 bar		- All entries have G 1/8"									
	Temperatur / Temperature	-10 °C - +70 °C		- Single stable version									
	Schutzart / Enclosure	GI 65 - DIN 40050		- Body Aluminium anodised, with minimal external dimensions									
	Spannung / Voltage	24V AC	24V DC	230V AC	- Giston Stainless steel AISI 303								
	Leistung / Gower consumption	5VA	3W	5VA	- Sealings NBR								
	Nenndurchfluss / Air flow	50 l/min			- Screws Stainless steel AISI 304								
		Beschreibung											
		- Magnetventil direkt gesteuert mit 3/2- Wege Funktion											
	- Alle Anschlüsse haben GI/8"												
	- Federrückstellung												
	- Gehäuse Aluminium eloxiert, mit minimalen Außenabmessungen												
	- Kolben Edelstahl 1.4305												
	- Dichtungen NBR												
	- Schrauben Edelstahl 1.4301												

Solenoid valve Magnetventil	Dimensions • Baumaße											
	DN	A	B	D1	D2	L1	F	R	L	Rd x s	kg	
	Description											
	- Solenoid valve NAMUR with combined 5/2 - and 3/2 - ways function with standard coil and connector											
	- Easy change over from 5/2 - to 3/2 - ways operation by innovative sealing plate											
	- Single stable version											
	- Manual override as standard											
	- Body Aluminium anodised, with minimal external dimensions											
	- NAMUR coupling plate GA 6 - 30 % Glass fibre											
	- Giston Stainless steel AISI 303, Sealings NBR, Screws Stainless steel AISI 304											
	Beschreibung											
	- Magnetventil NAMUR mit kombinierter 5/2 - und 3/2 - Wege Funktion mit Standardspule und Gerätestecker											
- Leichtes Umschalten von 5/2 - auf 3/2 - Wege durch innovative Wendedichtung												
- Luftfederrückstellung												
- Seriennmäßig mit Notbetätigung												
- Gehäuse Aluminium eloxiert, mit minimalen Außenabmessungen												
- NAMUR Adapterplatte GA6 - 30% GF												
- Kolben Edelstahl 1.4305, Dichtungen NBR, Schrauben Edelstahl 1.4301												
Anschluss / Air entry	G 1/4"											
Nennweite / Dimension	5,5 mm											
Arbeitsdruck / Air pressure	2-10 bar											
Temperatur / Temperature	-10 °C - +50 °C											
Schutzart / Enclosure	GI 65 - DIN 40050											
Spannung / Voltage	24V AC	24V DC	230V AC									
Leistung / Gower consumption	5VA	3W	5VA									
Nenndurchfluss / Air flow	950 l/min											

Proximity switch Näherungsinitiator	Dimensions • Baumaße										
	DN	A	B	C	D	E	L	R	Rd x s	kg	
	M8 x 1										
	M12 x 1										

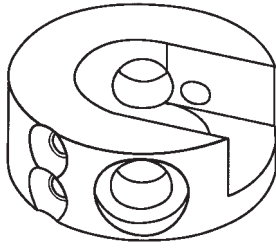
Support of proximity switch Halteblech für Näherungsinitiator	Dimensions • Baumaße										
	DN	A	B	D	D	E	G	R	L	Rd x s	kg



Noise silencer Schalldämpfer	Dimensions • Baumaße										
	DN	G	L	C	D	E	F	R	L	Rd x s	kg
	G 1/8	G 1/8"	21,5								
	G 1/4	G 1/4"	26,5								

Screw union Schraubung	Dimensions • Baumaße										
	DN	A	B	D	E	F	G	R	L	Rd x s	kg
	G 1/8 - 4	G 1/8"	4								
	G 1/8 - 6	G 1/8"	6								
	G 1/8 - 8	G 1/8"	8								
	G 1/8 - 10	G 1/8"	10								
	G 1/4 - 4	G 1/4"	4								
	G 1/4 - 6	G 1/4"	6								
	G 1/4 - 8	G 1/4"	8								
	G 1/4 - 10	G 1/4"	10								
	G 1/4 - 12	G 1/4"	12								

Switch cams supported
Schaltnocke

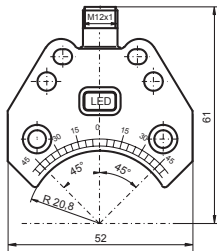
Dimensions • Baumaße



DN	A	B	C	E	F	G	R	L	Rd x s	kg
		44521 - A			for 44530					
		44521 - B			for 44360					

Dual sensor
Doppel-Näherungsinitiator

Dimensions • Baumaße



DN	A	B	C	E	F	G	R	L	Rd x s	kg
General specifications Switching element function PNG Dual NO Rated operating distance sn 3 mm Installation flush mountable Output polarity DC Assured operating distance sa 0 - 2,43 mm						Operating current IL 0 - 200 mA Off-state current Ir 0 - 0,5 mA typ. 0,1 µA at 25 °C No-load supply current IO ≤ 25 mA Operating voltage display LED, green Indication of the switching state LED, yellow				
Nominal ratings Operating voltage UB 10 - 30 V DC Switching frequency f 0 - 500 Hz Hysteresis H typ. 5 % Reverse polarity protected all connections Short-circuit protection pulsing Voltage drop Ud ≤ 3 V						Ambient conditions Ambient temperature -25 ... 70 °C (-13 ... 158 °F) Storage temperature -40 ... 85 °C (-40 ... 185 °F)				

Cable conector 90°
Konnektor 90°

Dimensions • Baumaße



DN	A	B	C	E	F	G	R	L	Rd x s	kg
General specification Number of poles 4 Construction type Socket, angled										
Electrical specification Operating voltage max. 60 V DC Operating current max. 4 A Volume resistance < 5 mohm										
Ambient conditions Ambient temperature -5 ... 70°C (268 ... 343 K) active -30 ... 80°C (243 ... 353 K) unmoved Degree of soiling 3										

Cable conector
Konnektor

Dimensions • Baumaße



DN	A	B	C	D	E	F	R	L	Rd x s	kg
General specifications Number of pins 4 Connection 1 female connector Construction type 1 straight Threading 1 M12 Connection 2 cable end										
Electrical specifications Operating voltage U_B max. 250 V AC/DC Operating current max. 4 A Volume resistance < 5 mΩ										
Ambient conditions Ambient temperature Body: -40 ... 90 °C cable, fixed: -40 ... 80 °C cable, flexing: -25 ... 80 °C										
Gollution Degree 3										

Electric drive
Elektroantrieb



Dimensions • Baumaße

DN	A	B	C	D	E	F	R	L	Rd x s	kg
Type	Max Torque Nm	Flange ISO	Switch On-Off	Switch Positioner	24V DC	Operating Time, 90°	85-240VAC 50 - 60 HZ	1x220-23 VAC 50 - 60 HZ	Power kW	
AQ3L	30	F03/F04/F05	✓	✓	✓	15	✓	×	0,02	
AQ7L	70	F05/F07	✓	✓	✓	15	✓	×	0,02	
AQ15	150	F05/F07	✓	✓	✓	30 / 25	×	✓	0,03	

Control box
Steuerkopf



Dimensions • Baumaße

DN	A	B	C	D	E	F	R	L	Rd x s	kg
<p>TYPES: For air spring actuators STANDARD - air manifold GOM + 2x proximity sensor, LED MAX - air manifold 1.4301 + 2x proximity sensor, LED For air-to-air pneumatic actuators STANDARD - air manifold GOM + 2x proximity sensor, LED MAX - air manifold 1.4301 + 2x proximity sensor, LED POSITION SENSING: micro switch: 12 - 30 V, proximity sensor: 12 - 30 V SOLENOID VALVE: 24 V DC LED LIGHTING: 3W AIR CONNECTION: for compressed air hose 6/4 TEMPERATURE OF ENVIRONMENT: -15°C to +60°C</p>										

Digital electropneumatic positioner
Elektropneumatischer Stellungsregler



The compact positioner Type 8692 is optimized for integrated mounting on the pneumatic actuators in the process valve series Type 23xx/2103 and is specially designed for the requirements of a hygienic process environment. The control air channel is integrated in the actuator without external tubings. The easy handling and the selection of additional software functions are done either on a big graphic display with backlight and keypad or over COMMUNICATOR.

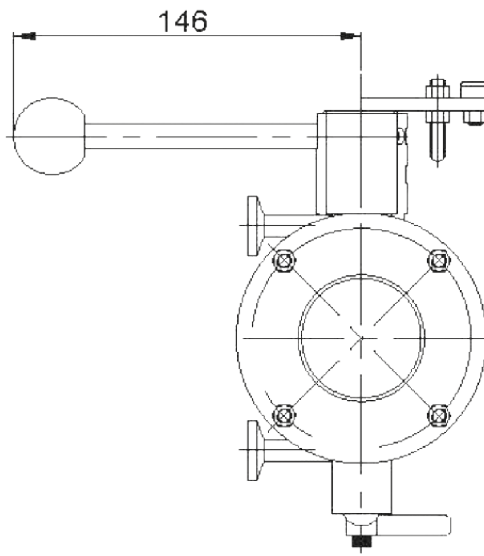
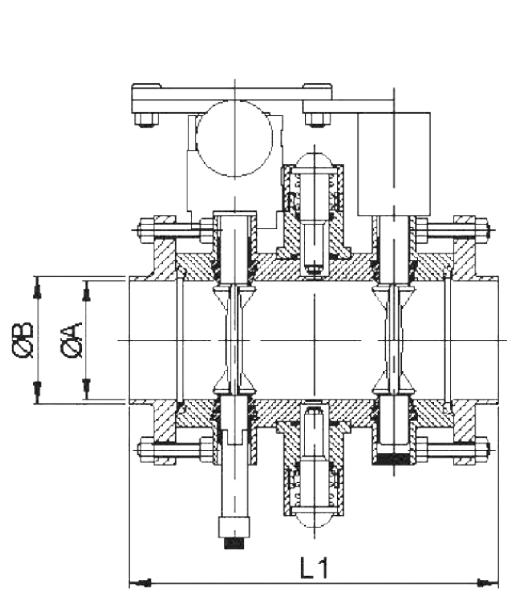
The positioner registers the valve position without deterioration through a contact-free, analog position sensor. The control of single or double-acting actuators is done without internal air consumption. With integrated diagnostic functions operation conditions of the control valve can be monitored. Through status signals, valve diagnostic messages are transmitted according to NAMUR NE107 and recorded as history entries.

The housing is easy to clean and features proven IP protection and chemically resistant materials for use in hygienic processing, in food, beverage and pharmaceutical industries. Combined with Bürkert ELEMENT actuators the unique pilot valve system enables a compressed air recycling that avoids actuator chambers contamination from the environment.

Dimensions • Baumaße

DN	A	B	C	E	F	F	R	L	Rd x s	kg
Technical data										
Material		Body	PPS, stainless steel							
		Cover	PC							
		Sealing	EPDM							
Power supply		24 V DC ± 10 % UL: NEC Class 2								
Residual ripple		max. 10 %								
Setpoint setting		0/4 to 20 mA and 0 to 5/10 V								
Output resistance		0/4 to 20 mA: 180 Ω 0 to 5/10 V: 19 k Ω								
Control medium		neutral gases, air, quality classes acc. to ISO 8573-1								
		Dust concentration	Class 7 (< 40 µm particle size)							
		Particle density	Class 5 (< 10 mg/m ³)							
		Pressure condensation point	Class 3 (< -20 °C)							
		Oil concentration	Class X (< 25 mg/m ³)							
Ambient temperature		- 10 to + 55 °C								
Pilot air ports		Threaded ports G ¹ / ₈ stainless steel or								
Supply pressure		Low air flow rate 0 to 7 bar ¹⁾ High air flow rate 3 to 7 bar								
Air input filter		Exchangeable (mesh aperture ~ 0.1 mm)								
Actuator system		Actuator series Type 23xx								
		Low air flow rate : Ø Actuator 70/90 mm High air flow rate: Ø Actuator 130 mm High air flow rate: Ø Actuator 175/225 mm								
		Actuator series Type 27xx								
Position detection module		Contact-free, wear-free								
Stroke range valve spindle		3 to 45 mm								
Installation		as required, preferably with actuator in upright position								
Protection type		IP65/IP67 acc. to EN 60529, Type 4X acc. to NEMA 250 standard								
Protection class		3 acc. to DIN EN 61140								
Power consumption		< 5 W								
Electrical connection		Multipole connection								
		M12, 8-pins or 4-pins								
		2xM16 x 1.5 (cable-Ø 5-10 mm) with connection terminals for cable cross-sections 0.14 - 1.5 mm ²								
Bus communication		PROFIBUS DP-V1, DeviceNet, EtherNet/IP, PROFINET, Modbus TCP, bus - Bürkert System Bus (based on CANopen)								

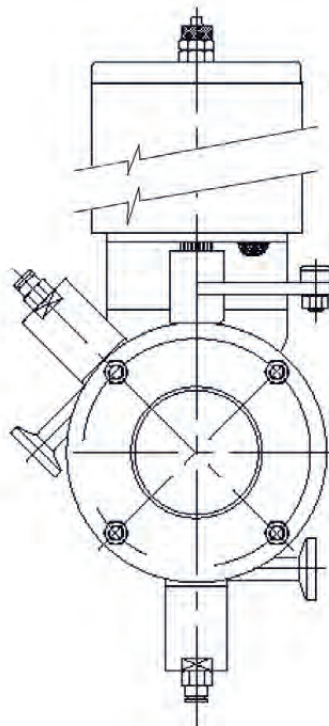
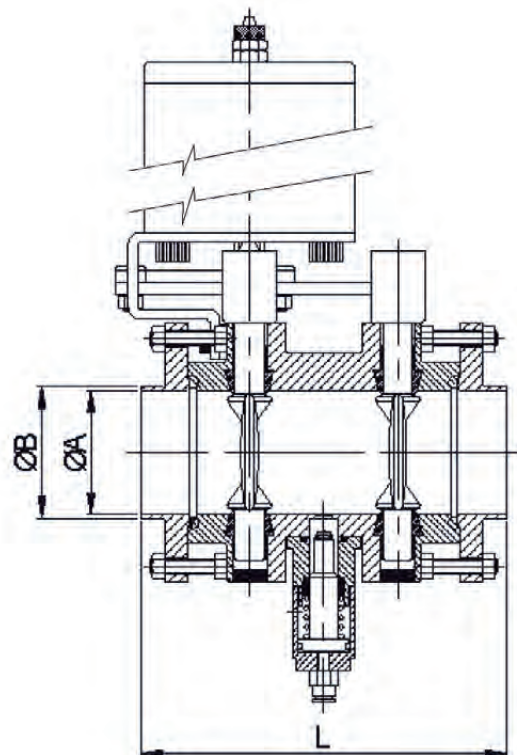
Leakage butterfly valves S - S
Leckage Scheibenventil S - S



Dimensions • Baumaße

DIN	DN	A	B	C	D
	25	122		26	87
	32	122		32	92
	40	130		38	97
	50	130		50	110
	65	146		66	127
	80	185		81	142
	100	209		100	162
	125				
	150				

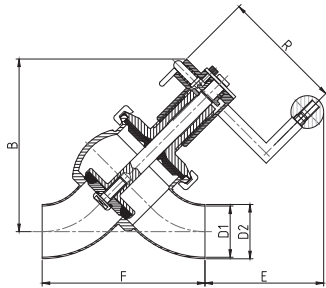
Leakage butterfly valves S - S
Leckage Scheibenventil S - S



Dimensions • Baumaße

DIN	DN	A	B	C	D
	25	148	30	26	87
	32	148	36	32	92
	40	158	42	38	97
	50	158	54	50	110
	65	170	71	66	127
	80	221	86	81	142
	100	221	105	100	162
	125				
	150				

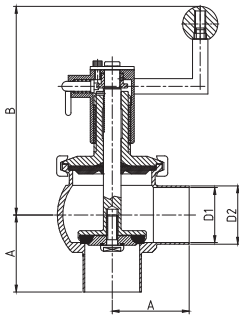
Inline seat valve S - S, Type - Y
 Inline - ventil S - S, Typ - Y



Dimensions • Baumaße

DIN	DN	R	B	C	D1	D2	E	F	L	Rd x s	kg
	25	60	124		26	29	69	111,8			
	40	120	160		38	41	117	145,4			
	50	120	168		50	53	115	159,0			
	65	120	198		66	70	122	187,2			
	80	120	204		81	85	113	205,9			

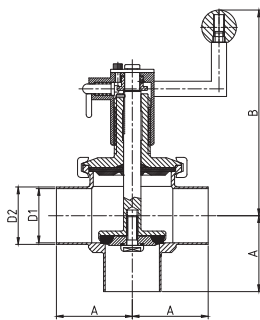
Angle seat valve S - S, Type - L
 Eckventil S - S, Typ - L



Dimensions • Baumaße

DIN	DN	A	B	C	D1	D2	F	R	L	Rd x s	kg
	25	50	135		26	29					
	40	60	181		38	41					
	50	70	189		50	53					
	65	80	218		66	70					
	80	90	219		81	85					

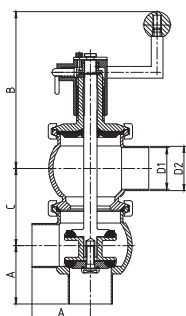
Double angle seat valve S - S - S, Type - T
 Doppel eckventil S - S - S, Typ - T



Dimensions • Baumaße

DIN	DN	A	B	C	D1	D2	G	R	L	Rd x s	kg
	25	50	135		26	29					
	40	60	181		38	41					
	50	70	189		50	53					
	65	80	218		66	70					
	80	90	219		81	85					

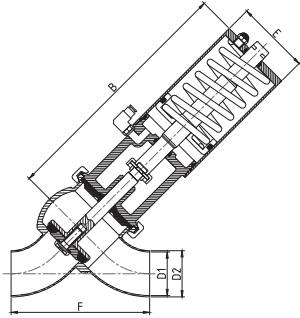
Change over valve S - S - S, Type - LL
 Umstellventil S - S - S, Typ - LL



Dimensions • Baumaße

DIN	DN	A	B	C	D1	D2	F	R	L	Rd x s	kg
	25	50	119	56,6	26	29					
	40	60	184	80,0	38	41					
	50	70	188	92,4	50	53					
	65	80	221	120,0	66	70					
	80	90	226	128,0	81	85					

Inline seat valve S - S, Type - Y,
pneumatic
Inline - ventil S - S, Typ - Y, pneumatisch

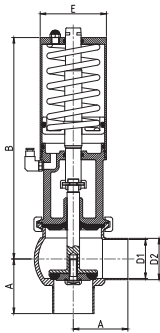


Dimensions • Baumaße

DIN (NC)

DN	A	B	D1	D2	E	F	L	Rd x s	kg
25		47,0	26	29	60	111,8			
40		277,7	38	41	85	145,4			
50		284,1	50	53	85	159,0			
65		357,8	66	70	133	187,2			
85		360,9	81	85	133	205,9			

Angle seat valve S - S, Type - L, pneumatic
Eckventil S - S, Typ - L, pneumatisch

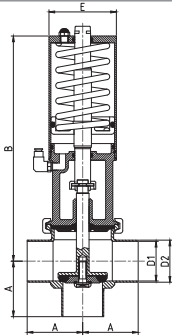


Dimensions • Baumaße

DIN (NC)

DN	A	B	C	D1	D2	E	L	Rd x s	kg
25	50	147,0		26	29	60			
40	60	277,7		38	41	85			
50	70	284,1		50	53	85			
65	80	357,8		66	70	133			
85	90	360,9		81	85	133			

Double angle seat valve S - S - S, Type - T,
pneumatic
Doppel eckventil S - S - S, Typ - T,
pneumatisch

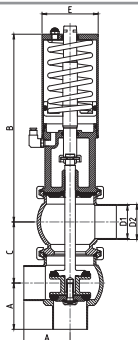


Dimensions • Baumaße

DIN (NC)

DN	A	B	C	D1	D2	E	L	Rd x s	kg
25	50	147,0		26	29	60			
40	60	277,7		38	41	85			
50	70	284,1		50	53	85			
65	80	357,8		66	70	133			
85	90	360,9		81	85	133			

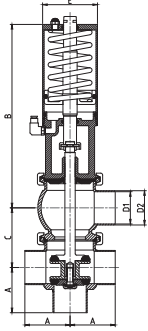
Change over valve S - S - S, Type - LL,
pneumatic
Umstellventil S - S - S, Typ - LL,
pneumatisch

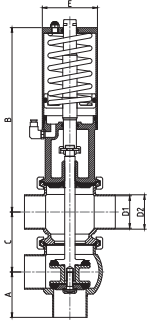


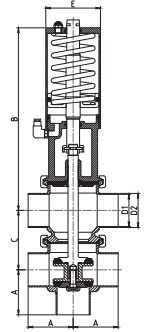
Dimensions • Baumaße

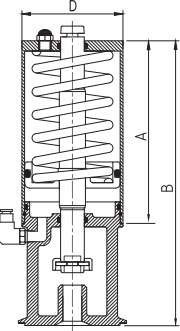
DIN (NC)

DN	A	B	C	D	E	R	L	Rd x s	kg
25	50	147,0	56,6	26	29	60			
40	60	277,7	80,0	38	41	85			
50	70	284,1	92,4	50	53	85			
65	80	357,8	120,0	66	70	133			
85	90	360,9	128,1	81	85	133			

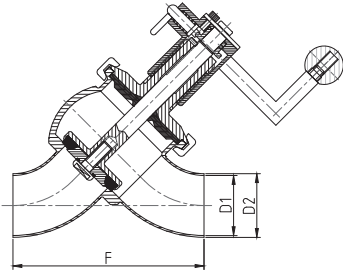
Change over valve S - S - S, Type - LT, pneumatic Umstellventil S - S - S, Typ - LT, pneumatisch		Dimensions • Baumaße									
	DIN (NC)	DN	A	B	C	D1	D2	E	L	Rd x s	kg
		25	50	147,0	56,6	26	29	60			
		40	60	277,7	80,0	38	41	85			
		50	70	284,1	92,4	50	53	85			
		65	80	357,8	120,0	66	70	133			
		80	90	360,9	128,1	81	85	133			
		Typ / Type: luft/feder / air - spring									
		Mat. AISI 316L									

Change over valve S - S - S, Type - TL, pneumatic Umstellventil S - S - S, Typ - TL, pneumatisch		Dimensions • Baumaße									
	DIN (NC)	DN	A	B	C	D1	D2	E	L	Rd x s	kg
		25	50	147,0	56,6	26	29	60			
		40	60	277,7	80,0	38	41	85			
		50	70	284,1	92,4	50	53	85			
		65	80	357,8	120,0	66	70	133			
		80	90	360,9	128,1	81	85	133			
		Typ / Type: luft/feder / air - spring									
		Mat. AISI 316L									

Change over valve S - S - S, Type - TT, pneumatic Umstellventil S - S - S, Typ - TT, pneumatisch		Dimensions • Baumaße									
	DIN (NC)	DN	A	B	C	D1	D2	E	L	Rd x s	kg
		25	50	147,0	56,6	26	29	60			
		40	60	277,7	80	38	41	85			
		50	70	284,1	92,4	50	53	85			
		65	80	357,8	120,0	66	70	133			
		80	90	360,9	128,1	81	85	133			
		Typ / Type: luft/feder / air - spring									
		Mat. AISI 316L									

Pneumatic actuator S - R Pneumatik-hubantrieb luft-feder		Dimensions • Baumaße									
	DIN (NC)	DN	A	B	C	D	E	R	L	Rd x s	kg
		25	175			89					
		40-50	175			104					
		65-80	230			129					

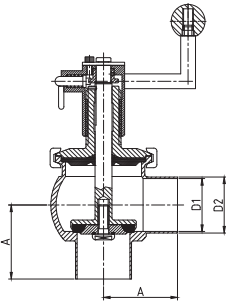
Inline seat valve S - S, Type - Y,
pneumatic
Inline - ventil S - S, Typ - Y, pneumatisch



Dimensions • Baumaße

SMS	DN	A	B	C	D1	D2	E	F	L	Rd x s	kg
	1"				22,1	25,4		96,1			
	1 1/2"				34,8	38,1		142,3			
	2"				47,5	50,8		168,6			
	2 1/2"				60,2	63,5		211,6			
	3"				72,9	76,2		244,7			

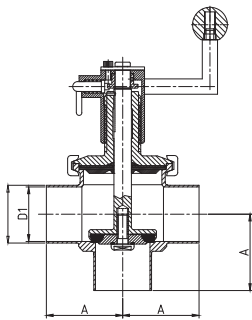
Angle seat valve S - S, Type - L, pneumatic
Eckventil S - S, Typ - L, pneumatisch



Dimensions • Baumaße

SMS	DN	A	B	C	D1	D2	E	F	L	Rd x s	kg
	1"	50,8			22,1	25,4					
	1 1/2"	57,2			34,8	38,1					
	2"	76,2			47,5	50,8					
	2 1/2"	76,2			60,2	63,5					
	3"	82,6			72,9	76,2					

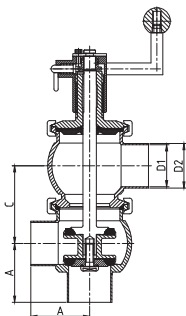
Double angle seat valve S - S - S, Type - T,
pneumatic
Doppel eckventil S - S - S, Typ - T,
pneumatisch



Dimensions • Baumaße

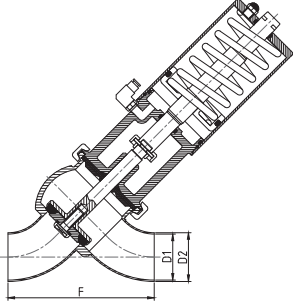
SMS	DN	A	B	C	D1	D2	E	F	L	Rd x s	kg
	1"	50,8			22,1	25,4					
	1 1/2"	57,2			34,8	38,1					
	2"	76,2			47,5	50,8					
	2 1/2"	76,2			60,2	63,5					
	3"	82,6			72,9	76,2					

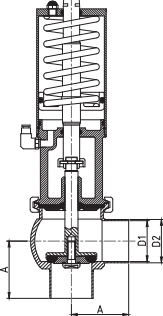
Change over valve S - S - S, Type - LL,
pneumatic
Umstellventil S - S - S, Typ - LL,
pneumatisch

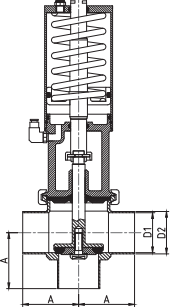


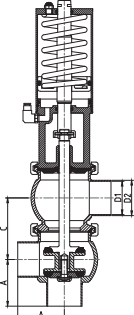
Dimensions • Baumaße

SMS	DN	A	B	C	D1	D2	E	F	L	Rd x s	kg
	1"	50,8		56,7	22,1	25,4					
	1 1/2"	57,2		80	34,8	38,1					
	2"	76,2		92,4	47,5	50,8					
	2 1/2"	76,2		120	60,2	63,5					
	3"	82,6		128	72,9	76,2					

Change over valve S - S - S, Type - LT, pneumatic Umstellventil S - S - S, Typ - LT, pneumatisch		Dimensions • Baumaße									
	SMS (NC)	DN	A	B	C	D1	D2	F	L	Rd x s	kg
		1"				22,1	25,4	96,1			
		1 1/2"				34,8	38,1	142,3			
		2"				47,5	50,8	168,6			
		2 1/2"				60,2	63,5	211,6			
		3"				72,9	76,2	244,7			

Change over valve S - S - S, Type - TL, pneumatic Umstellventil S - S - S, Typ - TL, pneumatisch		Dimensions • Baumaße									
	SMS (NC)	DN	A	B	C	D1	D2	E	L	Rd x s	kg
		1"	50,8			22,1	25,4				
		1 1/2"	57,2			34,8	38,1				
		2"	76,2			47,5	50,8				
		2 1/2"	76,2			60,2	63,5				
		3"	82,6			72,9	76,2				

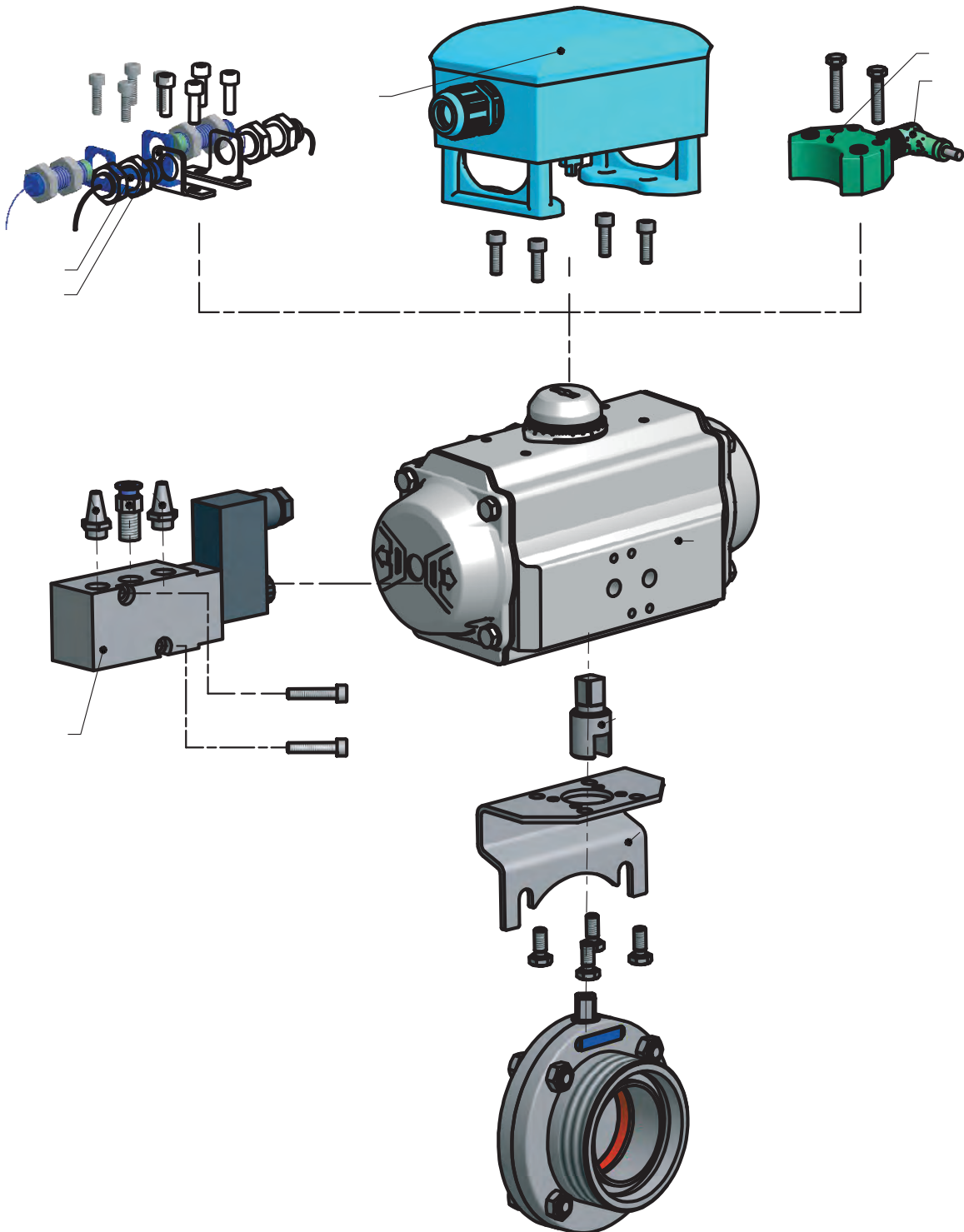
Change over valve S - S - S, Type - TT, pneumatic Umstellventil S - S - S, Typ - TT, pneumatisch		Dimensions • Baumaße									
	SMS (NC)	DN	A	B	C	D1	D2	E	L	Rd x s	kg
		1"	50,8			22,1	25,4				
		1 1/2"	57,2			34,8	38,1				
		2"	76,2			47,5	50,8				
		2 1/2"	76,2			60,2	63,5				
		3"	82,6			72,9	76,2				

Pneumatic actuator S - R Pneumatik-hubantrieb luft-feder		Dimensions • Baumaße									
	SMS (NC)	DN	A	B	C	D1	D2	E	L	Rd x s	kg
		1"	50,8		56,7	22,1	25,4				
		1 1/2"	57,2		80	34,8	38,1				
		2"	76,2		92,4	47,5	50,8				
		2 1/2"	76,2		120	60,2	63,5				
		3"	82,6		128	72,9	76,2				

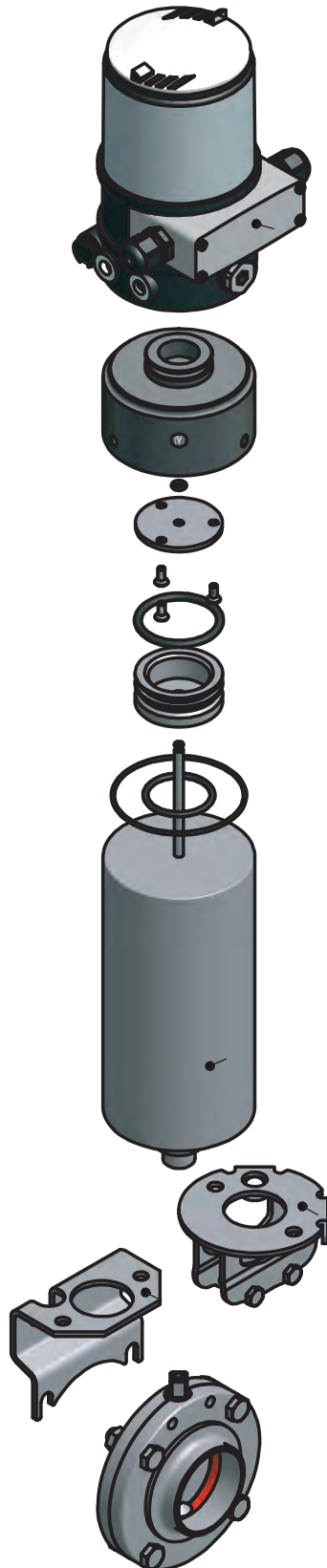
Butterfly valve with pneumatic actuator Air Torque - variants signaling and control

Scheibenventil mit pneumatischantriebe Air Torque - varianten signalisierung und kontrolle

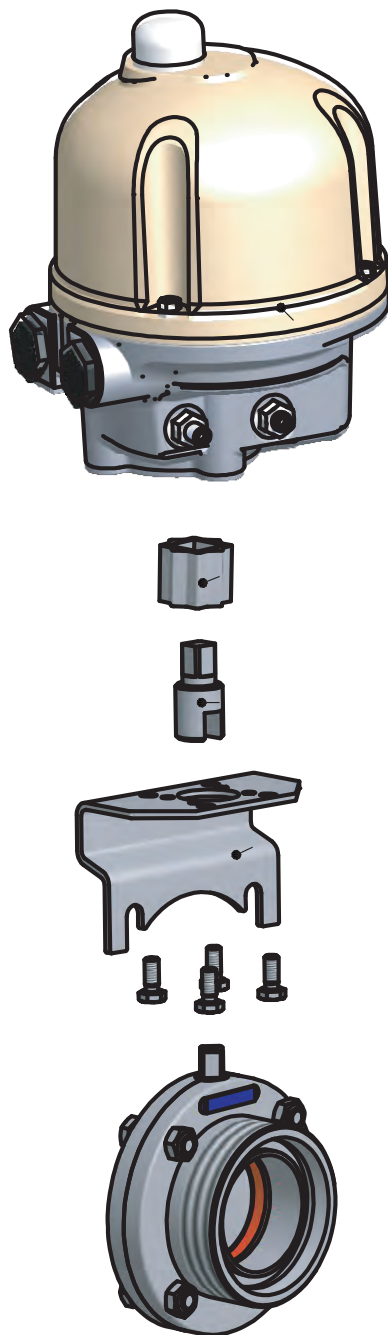
Position detection – Positionserfassungs



Flap and pneumatic actuator assembly with control head Klappe und pneumatischer Antrieb mit Steuerkopf



Butterfly valve with electric drive
Scheibenventil mit Elektroantrieb



CONVERSION TABLE		UMRECHNUNGSTABELLE	
DN	(inch)	(mm)	
8	1/4"	6,35	
10	3/8"	9,25	
15	1/2"	12,7	
20	3/4"	19,0	
25	1"	25,4	
32	1 1/4"	31,7	
40	1 1/2"	38,1	
50	2"	51,0	
65	2 1/2"	63,5	
80	3"	76,1	
100	4"	104,0	

BAR CONVERSION CHARTS	BAR UMPRECHNUNGSTABELLE
<h1>1 Bar</h1>	100000 Pascals
	100 Kilopascals
	1000 Milibars
	1000000 Microbars
	~0,98 Atmospheres
	~401,46 Inches of wather
	10 Meters of wather
	~29,53 Inches of mercury
	~750 Milimeters of mercury
	~14,5 Pounds per square inches
	~1,02 Kilograms per square inches

MATERIALS USED

All units and parts listed in this catalogue are produced from non-corrosive acid-resistant Cr – Ni steel ČSN 17 240, which is the equivalent of the German standard DIN 1.4301. If the corrosion-proof requirements of the parts are higher they are produced from non-corrosive Cr-Ni-Mo steel ČSN 17 349 which conforms to DIN 1.4404.

Chemical composition of the most frequently used non-corrosive steels

ČSN PN	%C max.	%Si max.	%Mn max.	%P max.	%S max.	%Cr max.	%Mo max.	%Ni max.	%Ti max.
17 240	0.07	1.00	2.00	0.045	0.030	17.0-20.0	-	9.0 -11.5	-
17 249	0.03	1.00	2.00	0.045	0.030	17.0-20.0	-	10.0-12.5	-
17 346	0.07	1.00	2.00	0.045	0.030	16.5-18.5	2.0-2.5	10.5-13.5	-
17349	0.03	1.00	2.00	0.045	0.030	16.5-18.5	2.0-2.5	11.0-14.0	-
17 248	0.10	1.00	2.00	0.045	0.030	17.0-19.0	-	9.5-12.0	>=5xC
17 348	0.10	1.00	2.00	0.045	0.030	16.5-18.5	2.0-2.5	11.0-14.0	>=5xC

International standards conversion table for marking steels

Poldi	Czech Rep. PN	Germany DIN (W. Nr.)	USA ASTM	Italy UNI	France AFNOR	Russia GOST
AKV7	17240	1.4301	AISI 304	X5CrNi1810	Z7CN18-09	08Ch18N10
AKV2	17249	1.4306	AISI304L	X2CrNi1811	Z3CN19-121	03Ch18N11
AKV EX7	17346	1.4401	AISI 316	X5CrNiMo1712.2	Z7CND17-12-02	-
AKV EX2	17349	1.4404	AISI 316L	X2CrNiMo1713.2	Z3CND18-12-02	03Ch12N14M2
AKVS7	17248	1.4541	AISI 321	X6CrNiTi1811	Z6CNT18-10	08Ch18N10T
AKV EX S9	17348	1.4571	AISI 316Ti	X6CrNiMoTi1712	Z6CNDT17-12	08Ch17N13M2

DESIGN

The bulk of products are produced from bars or forged material. The material is in such a state that after welding it is not necessary to carry out further treatment. Tubular adapting pipes in their basic finish are pickled – matt, or treated – ground (brushed).

PIPE CONNECTING PARTS – DIN SCREW COUPLINGS

These are produced according to the DIN 11 851 standard and the screw thread according to the DIN 405 (ČSN 01 4037) standard. Connection of the sockets (screw thread or ring) to the tubes can be done in two ways:

- a) butt welding
- b) flaring the inside diameter

From diameters of 50mm and above it is necessary to ensure flaring of connections with a seam weld. Flared connections with a seam weld are hygienically unobjectionable and are suitable for pressures of 1 MPa (tested at a pressure of 2 MPa). Parts which do not correspond to any standards are produced according to branch or factory standards, and possibly workshop standards, and in some cases to approved technical drawings.

SEALING

Seals listed in this catalogue are produced from the following materials – SILICON, PERBUNAN, EPDM or VITON. They are supplied separately or as part of the set. Prices for tubular adapting pipes and sets of screw couplings do not include sealing rings.

MAINTENANCE

Without exception the materials used are suitable for general use in the food-processing industry. These materials are sensitive to high concentrations of chloride solutions and therefore we recommend that the instructions and recommendations of the manufacturer are heeded. Corrosion can only be prevented if these instructions are adhered to.

SPECIAL DESIGN

Apart from the standard parts listed in this catalogue we also supply special designs according to customer requirements and their technical documentation.

INSTRUCTIONS FOR ORDERING

For quick and simple processing of your order please supply the following data:

1	2	3	4
numerical labelling of goods	dimension(DN)	material	amount

If group „3" is not listed in the order we automatically supply material 17 240 (DIN 1.4301)

If you require other parts and units than those in this catalogue please send your specific requirements.

This issue nullifies all previous catalogues and delivery conditions listed in them.

We would be pleased to discuss your specific requirements and answer your questions in person. We look forward to your visit.

Technical Information for Gaskets					
Title	Silicon (VMQ silicon rubber)	EPDM (ethylene-propylene-diene rubber)	Viton (FPM fluorine rubber)	Perbunan (NBR nitrile rubber)	PTFE (polytetrafluoro ethylene)
Temperature of use	It is stable in water up to 100 °C Possibility of sterilisation by steam short-term up to 120 °C to 130 °C	Permanent operating use from 40 °C to +140 °C Possibility of sterilisation by steam up to 130 °C	Permanent operating use from 20 °C to +200 °C Possibility of sterilisation by steam short-term up to 130 °C to 140 °C	Permanent operating use from 25 °C to +110 °C Possibility of sterilisation by steam short-term up to 130 °C	Up to +200 °C it is physiologically harmless, use from 200 °C to +260 °C
Recommended use	High temperature load capacity It has good resistance to cold, suitable for food, it has dielectric properties. It has good resistance to alcohols.	It has good resistance to swelling for: • Diluted inorganic and organic acids, media, oxidising media, lyes, and ketones • Hot water and steam up to 130 °C	It has good resistance to swelling for: • Mineral oils • Plant and animal oils • Lubricants (also some additives) • Fuels	It has good resistance to swelling for: • Aliphatic hydrocarbons (such as propane, butane, benzene, mineral oil) • Lubricants based on mineral oil	It has good resistance to swelling in almost all parts It has a smooth and repellent surface so sticking does not occur It has better chemical resistance than in all other elastomers Non-flammable material
Limited use (border)	Shows high swelling for: • Low-molecular esters and ethers • Aliphatic and aromatic hydrocarbons • Concentrated acids and alkali	Cannot be used for: • Plant and animal oils • Aliphatic, aromatic, and chlorinated hydrocarbons • Mineral oils	Shows high swelling for: • Polar solvents, such as acetone, methyl ketone, ethyl acetate, diethyl ether, and dioxane • Low-molecular organic acids (formic acid and acetic acid) • Gaseous ammonia, amines and alkanes • Overheated water steam	Not resistant to: • Polar solvents • Chlorinated hydrocarbons • Ketones • Aromatic hydrocarbons (benzol) • Esters	Not resistant to: • Liquid alkaline metals and some compounds of fluorine in connection with higher pressure and temperature The material does not show the flexibility of rubber.
Material approval	BGA/FDA	BGA/FDA	BGA/FDA	BGA/FDA	BGA/FDA
BGA = approval of the "Federal Health Authority" in Germany ("Bundesgesundheitsamt") FDA = approval of the "US Food and Drug Administration"					

Technische Informationen für Dichtringe					
Name	Silikon (VMQ)	EPDM (Ethylen-Propylen-Dien-Kautschuk)	Viton (FPM)	Perbunan (NBR)	PTFE (Polytetrafluoräthyle)
Einsatztemperatur	in Wasser bis 100°C beständig Dampfsterilisierbar kurzfristig bis 120°C - 130°C	Dauereinsatz von minus 40°C bis 140°C Dampfsterilisierbar bis 130°C	Dauereinsatz von minus 20°C bis 200°C Dampfsterilisierbar kurzfristig bis 130°C - 140°C	Dauereinsatz von minus 25°C bis 110°C Dampfsterilisierbar kurzfristig bis 130°C	bis 200°C physiologisch unbedenklich, Einsatz von -200°C bis +260°C
typ. Einsatzbereich	hohe thermische Belastbarkeit gute Kältebeständigkeit, für lebensmittel gut geeignet, dielektrische Eigenschaften gute Beständigkeit gegenüber Alkoholen	gute Quellbeständigkeit bei: • verdünnte anorg.- und organische Säuren, Medien, oxidierend wirkende Medien, Laugen und Kentonen • in Heißwasser und Dampf bis 130°C	gute Quellbeständigkeit bei: • Mineralölen • pflanzlichen und tierischen Ölen • Fetten (auch bestimmte Additive) • Kraftstoffe	gute Quellbeständigkeit • aliphatischen Kohlenwasserstoffen (wie Propan, Butan, Benzin, Mineralölen) • Fett auf Mineralölbasis	gute Quellbeständigkeit in nahezu allen Teilen Oberfläche glatt und abweisend, dadurch kein Haften von Rückständen chemische Beständigkeit besser als bei allen anderen Elastomeren kaum brennbar
Einsatzgrenzen	hohe Quellung bei: • niedermolekularen Estern und Ethern • aliphatischen und aromatischen Kohlenwasserstoffen • konz. Säuren und Alkalien	nicht einzusetzen bei: • pflanzlichen und tierischen Ölen • aliphatischen aromatischen und chlorierten Kohlenwasserstoffen • Mineralöle	stark quellend bei: • polaren Lösungsmitteln wie Aceton, Methylketon, Ethylacetat, Diethylether u. Dioxane • niedermolekularen organ. Säuren (Ameisen - und Essigsäuren) • Ammoniakgase, Amine u. Alkanien • überhitzter Wasserdampf	nicht beständig bei: • polaren Lösungsmitteln • chlorierten Kohlenwasserstoffen • Ketone • Aromaten (Benzol) • Ester	nicht beständig bei: • flüssige Alkalimetallen und einigen Flourverbindungen in Verbindung mit hohem Druck und Temperatur kein gummielastischer Werkstoff
Werkstoffzulassung	BGA/FDA	BGA/FDA	BGA/FDA	BGA/FDA	BGA/FDA
BGA = Bundesgesundheitsamt FDA = US Food and Drug Administration					